

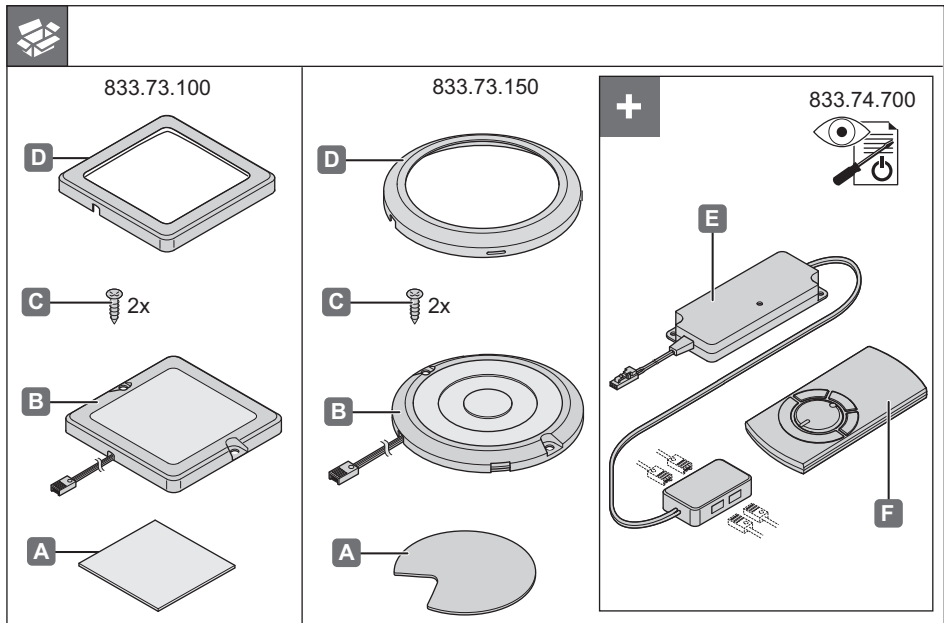


LED 2009
LED 2010

833.73.100
833.73.150

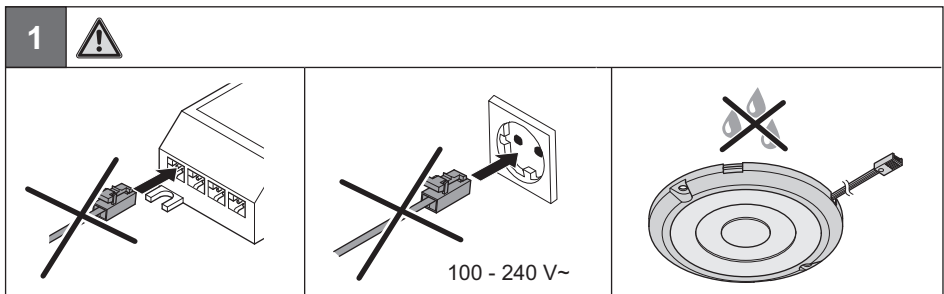
12 V System	K	W	T_A	mm	mm	
833.73.100	RGB	1.7 W	-20 °C – +35 °C	52 x 52 x 6	≥ 62 x 62 x 16	833.74.900
833.73.150	RGB	1.2 W	-4 °F – +95 °F	Ø 58 x 6	≥ Ø 68 x 16	833.74.901

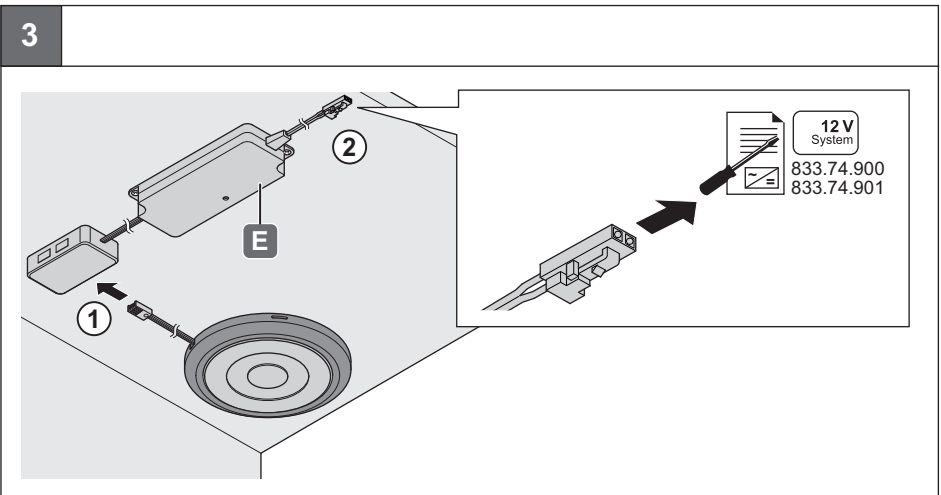
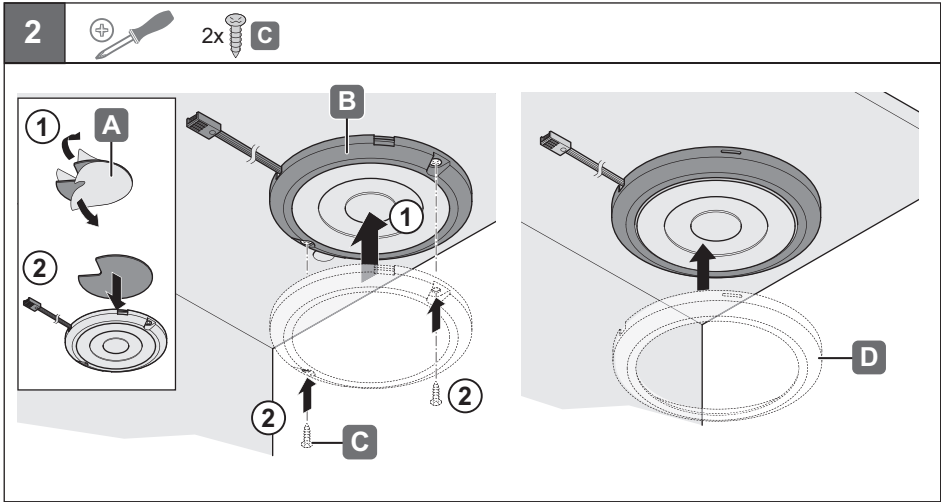
Maße in mm – Dimensions in mm – Medidas en mm



HDE 14/12/2010

732.28.209





Maße in mm – Dimensions in mm – Medidas en mm

HDE 14/12/2010

732.28.209